

AEROPRAKT INFORMATION BULLETIN

INSTALLATION OF PROTECTING COVERS ON A-22LS II A-22L2 AIRPLANES.

IB A-22LS-05

MANDATORY

Repeating symbols:

Please, pay attention to the following symbols throughout this document marking important information.

- ✱ **WARNING:** Identifies an instruction, which if not followed may cause serious injury or even death.
- **CAUTION:** Denotes an instruction, which if not followed, may cause severe damage.
- ◆ **NOTE:** Information useful for better handling.

1. Planning information

1.1) Aircraft affected

All versions of Aeroprakt-22LS airplanes series No. 1-125 and Aeroprakt-22L2 airplanes series No. 345-393 not equipped with warmth-keeping cockpit partition.

1.2) Reason

Possibility for foreign objects to get between the control system elements behind the landing gear beam. Effect: limitation of control system elements' travel, jamming.

1.3) Subject

Protecting covers.

1.4) Compliance

Inspect the area behind the landing gear beam and connections of the flight control system elements. Remove any foreign object if found.

1.5) Approval

The technical content of this Information Bulletin has been approved by Aeroprakt

1.6) Manpower

Replacement of the central and installation of the rear panel by one person will take not more than 1 hour.

1.7) Mass data

Mass change: +0.230 kg

1.8) Revision of other documents

None

1.9) Spare parts

A set of panels and fasteners are supplied by local dealer.

2. Spare parts information

2.1) Spare parts list

The new parts (see fig.1) may be supplied as one of the following versions:

Set No.1 (inch fasteners)

- 1 – central panel (1 pc.),
- 2 – rear panel (1 pc.),
- 3 – blind rivet nut RN832130SKR (4 pcs.),
- 4 – screw AN526-832R8 (4 pcs.).

Set No.2 (с метрическим крепежом)

- 1 – central panel (1 pc.),
- 2 – rear panel (1 pc.),
- 3 – blind rivet nut M4 BRALO (0371204006) (4 pcs.),
- 4 – screw 4-12-ЦБ DIN 967 (5024012-2) (4 pcs.).

2.2) Cost

On the cost issue of the supplied parts contact the local dealer.

2.3) Special tooling / materials

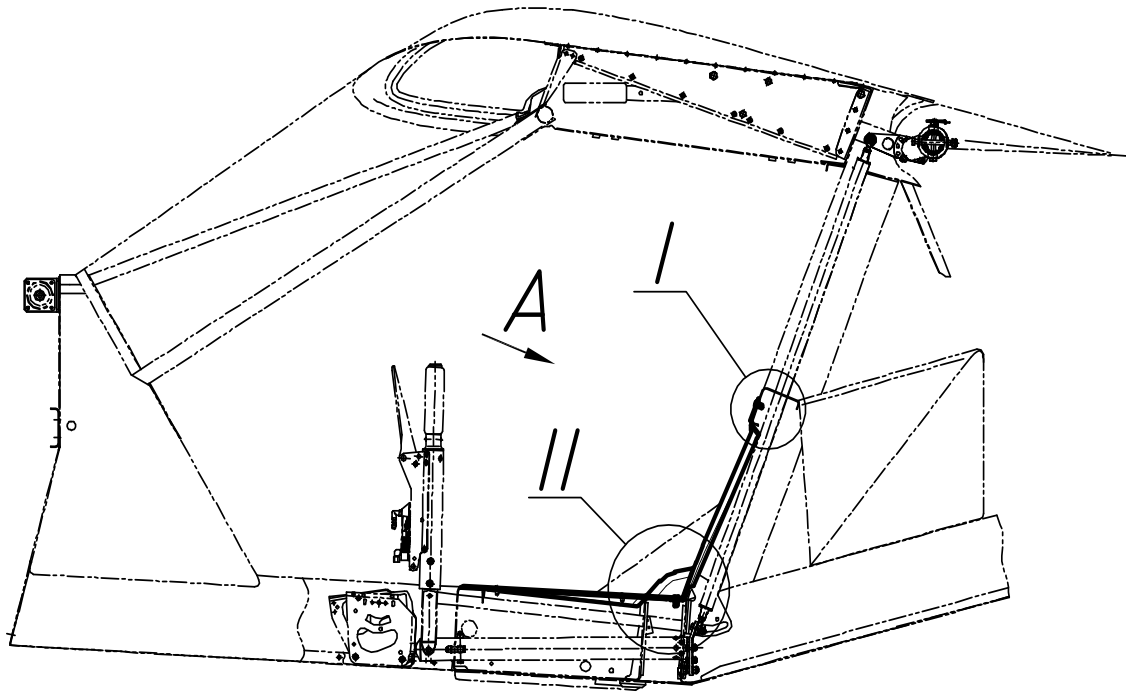
1. Hand drill;
2. Drill Ø4.5;
3. Drill Ø6.8 (for the set No.1);
4. Drill Ø6.1 (for the set No.2);
5. Chamfer bit 90°;
6. Screwdriver (cruciform);
7. Rivet nut hand tool.

3. Accomplishment / Instructions

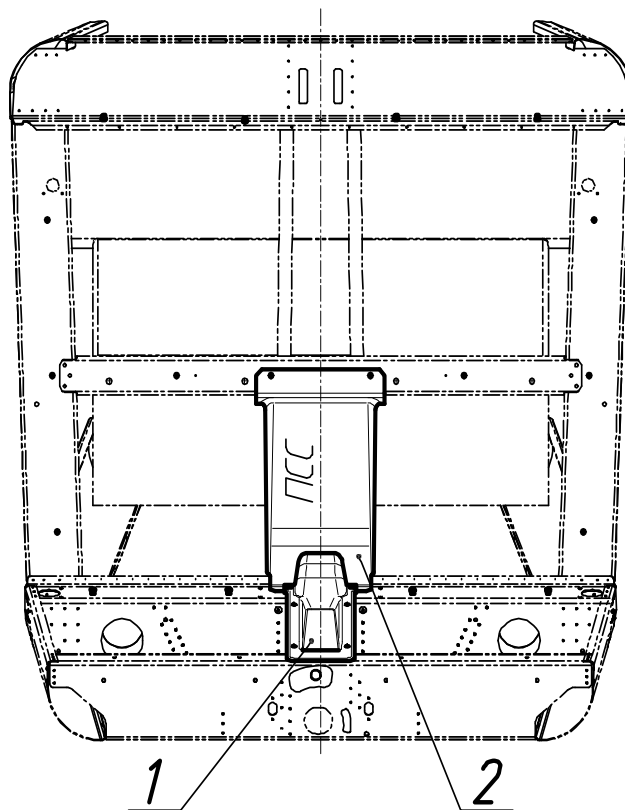
1. Unscrew four (4a) screws and remove the old central panel.
2. For the airplanes with parachute system installed: make a cutout for the parachute system deployment handle in the new central panel (1). For that use the old panel as the template by fixing it to the new one with the screws in the forward holes.
3. Install the new panels on the airplane. Put the central panel (1) on top of the rear panel (2) flanges and fix with the screws (4a).
4. Using the holes in the panels as guides make four Ø4.5 mm holes in fuselage structure.
5. Remove the panels. Enlarge the Ø4.5 mm holes for installation of the rivet nuts (Ø6.8 or Ø6.1 mm) and blunt the hole edges with 0.6×45° chamfer.
6. Install four rivet nuts (3) into the prepared holes.
7. Install the central panel (1) and rear panel (2), fix them with the screws (4).

4) Appendix

Fig.1



A O



	D, mm
Set No.1	6,8
Set No.2	6,1

