

AEROPRAKT SERVICE BULLETIN

No. SB A32-02

MODIFICATION OF ALL-MOVING HORIZONTAL TAIL (AMHT) OF A32 AND A32L AIRCRAFT

Repeating symbols:

Please, pay attention to the following symbols throughout this document marking important information.

- ▲ **WARNING:** Identifies an instruction, which if not followed may cause serious injury or even death.
- **CAUTION:** Denotes an instruction, which if not followed, may cause severe damage.
- ◆ **NOTE:** Information useful for better handling.

Release date: 28.02.2017

Effective date: 28.02.2017

Completion date:

Superseded notice: SA A32-01

Model: A32, A32L

Serial number(s) affected: A32: from 017 to and including 030

A32L: from 002 to and including 005

1) Planning information**1.1) Aircraft affected**

Aeroprakt-32 airplanes, S/N from 17 to and including 030 and Aeroprakt-32L airplanes, S/N from 002 to and including 005.

1.2) Reason

It was discovered that some parts of the all-moving elevator (tailplane) of the above mentioned A32 and A32L aircraft were manufactured with deviations in their form.

1.3) Subject

Modification of the all-moving horizontal tail (AMHT) of A32 and A32L aircraft.

1.4) Compliance

Compliance with this Service Bulletin is mandatory for all affected aircraft for flight safety reasons!

1.5) Approval

The technical content of this Service Bulletin has been approved by Aeroprakt.

1.6) Manpower

Estimated man-hours: work per 3.1.2 is performed within 2 hours.

1.7) Mass data

Mass change – insignificant +40 grammes.

1.8) Revision of other documents

None.

1.9) Spare parts

Modification parts' kit (mod kit) is supplied by the local dealer.

2) Spare parts information**3.1) Spare parts cost**

Mod kit is supplied by the manufacturer to local dealers free of charge.

3.2) Special tools

For inspection – none.

For modification: Ø3.3 mm drill bit, hand electric drill, Cleco fasteners, pop riveter.

3) Accomplishment / Instructions**3.1) Inspection of the AMHT**

Inspect the AMHT in the area of mod kit parts installation (see detail views II and IV in fig. 1 and 2) for dents, deformation and cracks. If any damage is found in the above mentioned areas consult the manufacturer.

◆ **NOTE:** Inspect the lefthand and righthand portions of the AMHT, on both top and bottom side.

3.2) Installation of the mod kit parts

Prior to installation of the mod kit parts disconnect the control linkage and remove the AMHT from the aeroplane.

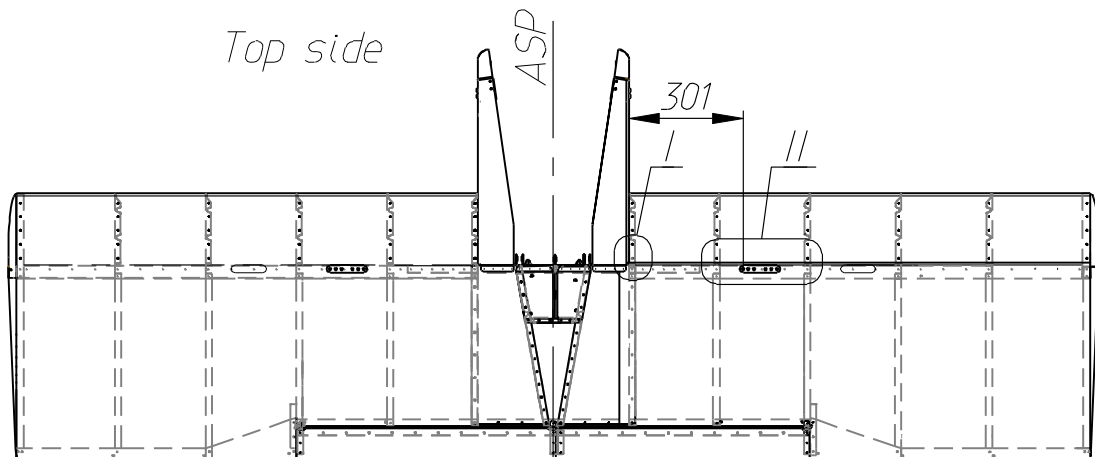


Fig. 1

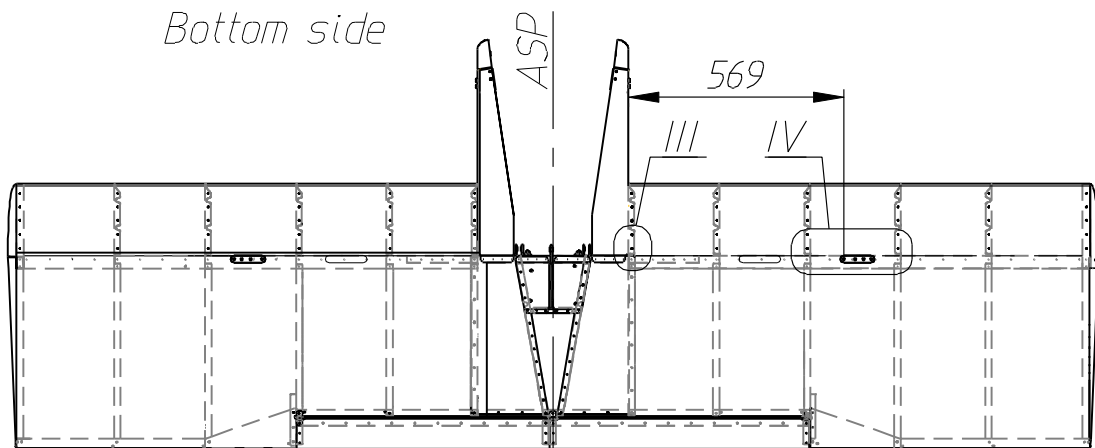


Fig. 2

1. Installation of the top (righthand and lefthand) doublers:
 - 1.1. Mark 2 holes (1 per righthand/lefthand side) on the top side of the AMHT at 301 mm distance as shown in fig. 1 and 3.
 - 1.2. Drill the 2 marked holes with $\varnothing 3.3$ mm drill bit.
 - 1.3. Install the doublers (1) on Cleco fasteners symmetrically about the aircraft symmetry plane (ASP).
 - 1.4. Using the holes in the doublers as pilot holes drill $\varnothing 3.3$ mm holes – 5 holes on each (righthand/lefthand) side.
 - 1.5. Remove the doublers, deburr/blunt the sharp edges of the holes, remove the metal chips.
 - 1.6. Attach the doublers with pop-rivets (3) and (4) as shown in fig. 3 (symmetrically about the ASP).

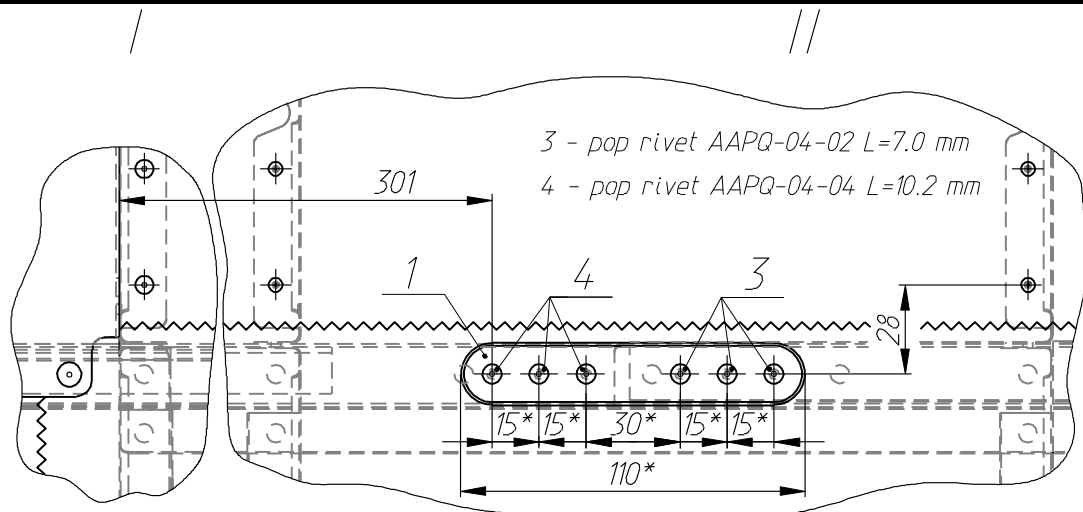


Fig. 3

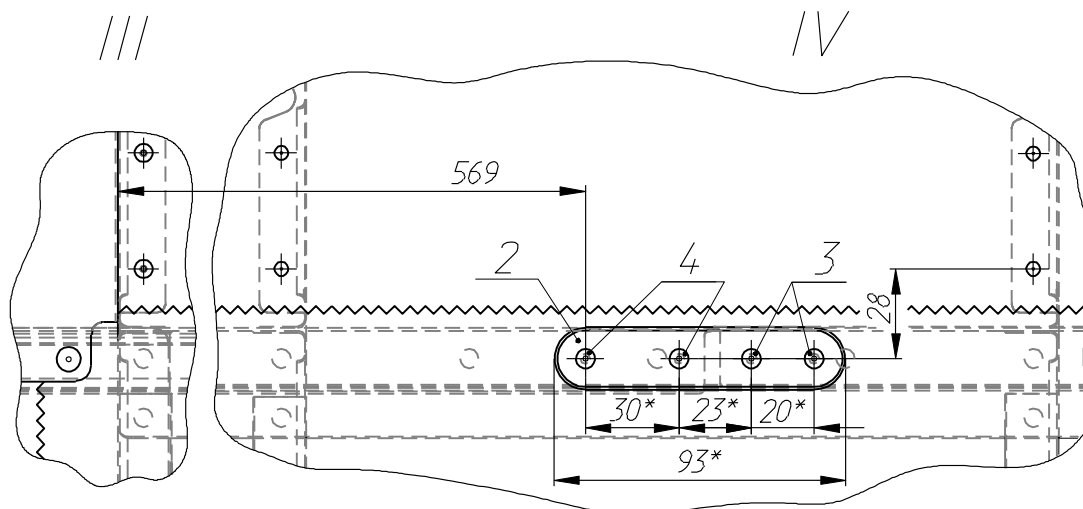


Fig. 4

2. Installation of the bottom (righthand and lefthand) doublers:

- 2.1. Mark 2 holes (1 per righthand/lefthand side) on the bottom side of the AMHT at 569 mm distance as shown in fig 4.
- 2.2. Drill the 2 marked holes with $\varnothing 3.3$ mm drill bit.
- 2.3. Install the doublers (2) on Cleco fasteners symmetrically about the ASP.
- 2.4. Using the holes in the doublers as pilot holes drill $\varnothing 3.3$ mm holes – 3 holes each (righthand/lefthand) side.
- 2.5. Remove the doublers, deburr/blunt the sharp edges of the holes, remove the metal chips.
- 2.6. Attach the doublers with pop-rivets (3) and (4) as shown in fig. 3 (symmetrically about the ASP).

3.3) Removal of temporary V_{NE} limitation

Upon completing the modification remove the marking for temporary V_{NE} limitation introduced according to the safety alert SA A32-01.